

Inscription plate for illuminated pushbutton, round, milky with black font, with graphic symbol: release



Figure similar

Product brand name	SIRIUS ACT
Product designation	Insert label
Product type designation	3SU1

General technical data

Shock resistance	Category 1, Class B
<ul style="list-style-type: none"> for railway applications acc. to DIN EN 61373 	
Vibration resistance	Category 1, Class B
<ul style="list-style-type: none"> for railway applications acc. to DIN EN 61373 	

Accessories

Material of accessory	Plastic
Mounting type of label	insert
Marking of inscription plate	SYMBOL: UNDO
Shape of inscription plate	Round
Color of inscription plate	milky/black (label/lettering)
Printed ISO symbols	SYMBOL: RELEASE

Certificates/approvals

General Product Approval	Declaration of Conformity	Test Certificates
--------------------------	---------------------------	-------------------



[Special Test Certificate](#)

[Type Test Certificates/Test Report](#)

Marine / Shipping



other

[Confirmation](#)

Further information

Information- and Downloadcenter (Catalogs, Brochures,...)

<http://www.siemens.com/industrial-controls/catalogs>

Industry Mall (Online ordering system)

<https://mall.industry.siemens.com/mall/en/en/Catalog/product?mlfb=3SU1900-0AB71-0RG0>

Cax online generator

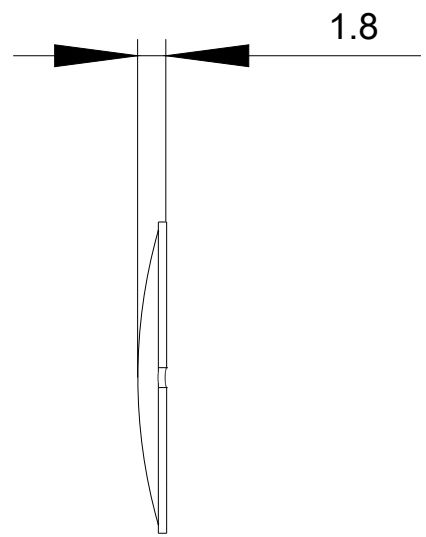
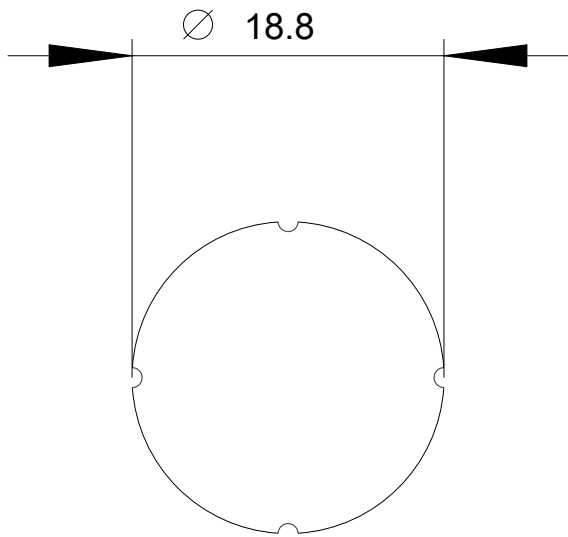
<http://support.automation.siemens.com/WW/CAXorder/default.aspx?lang=en&mlfb=3SU1900-0AB71-0RG0>

Service&Support (Manuals, Certificates, Characteristics, FAQs,...)

<https://support.industry.siemens.com/cs/ww/en/ps/3SU1900-0AB71-0RG0>

Image database (product images, 2D dimension drawings, 3D models, device circuit diagrams, EPLAN macros, ...)

http://www.automation.siemens.com/bilddb/cax_de.aspx?mlfb=3SU1900-0AB71-0RG0&lang=en



last modified:

11/28/2018