

AS-Interface enclosure for command devices, 22 mm, round, Enclosure material plastic, Enclosure top part yellow, 1 control point plastic, Recess for label, A=EMERGENCY STOP mushroom pushbutton red, 40 mm, rotate-to-unlatch, 1 NC, 1 NC, spring-type terminal, floor mounting, Insulation displacement system on top



Figure similar

<b>Product brand name</b>	SIRIUS ACT
<b>Product designation</b>	Enclosures
<b>Product type designation</b>	3SU1
<b>Manufacturer's article number</b>	<ul style="list-style-type: none"> <li>• of supplied contact module A1 = 3SU1400-2AA10-3CA0, A2 = 3SU1400-2AA10-3CA0 <a href="#">3SU1400-2AA10-3CA0</a></li> <li>• of supplied contact module at the command point A 1 <a href="#">3SU1400-2AA10-3CA0</a></li> <li>• of supplied contact module at the command point A 2 <a href="#">3SU1400-2AA10-3CA0</a></li> <li>• of supplied communication module AB = 3SU1400-2EA10-6AA0</li> <li>• of the supplied holder A = 3SU1500-0AA10-0AA0 <a href="#">3SU1500-0AA10-0AA0</a></li> <li>• of the supplied holder at the command point A <a href="#">3SU1500-0AA10-0AA0</a></li> <li>• of the supplied actuator A = 3SU1000-1HB20-0AA0 <a href="#">3SU1000-1HB20-0AA0</a></li> <li>• of the supplied actuator at the command point A <a href="#">3SU1000-1HB20-0AA0</a></li> <li>• of supplied empty enclosure <a href="#">3SU1801-0AA00-0AB2</a></li> </ul>

Enclosure

<b>Design of the housing</b>	with recess for label
<b>Shape of the enclosure front</b>	Square
<b>Material of the enclosure</b>	plastic
<b>Number of command points</b>	1
<b>Product component</b>	
• EMERGENCY STOP device	Yes
• protective collar	No
<b>Color</b>	
• of top part of the enclosure	yellow
<b>Delivery state</b>	
• as a kit	No
• pre-wired on strip terminal	No
<b>Mounting type of the enclosure</b>	Vertical

### Actuator

<b>Design of the operating mechanism</b>	Emergency stop mushroom pushbutton
Suitability for use EMERGENCY OFF switch	Yes
<b>Product feature</b>	
• lockout	No
<b>Product extension optional Light source</b>	No
<b>Color</b>	
• of the actuating element	Red
<b>Material of the actuating element</b>	plastic
<b>Shape of the actuating element</b>	round
<b>Number of contact modules</b>	2
<b>Type of unlocking device</b>	A = rotate-to-unlatch mechanism

### Front ring

<b>Product component front ring</b>	No
<b>Design of the front ring</b>	Standard
<b>Material of the front ring</b>	plastic
<b>Color of the front ring</b>	black

### Holder

<b>Material of the holder</b>	Plastic
-------------------------------	---------

### Display

<b>Number of LED modules</b>	0
------------------------------	---

### General technical data

<b>Product function</b>	
• positive opening	Yes
• EMERGENCY OFF function	Yes
• EMERGENCY STOP function	Yes
<b>Protection class IP</b>	IP66, IP67, IP69(IP69K)
<b>Degree of protection NEMA rating</b>	NEMA 1, 2, 3, 3R, 4, 4X, 12K, 13

<b>Shock resistance</b>	<ul style="list-style-type: none"> <li>• acc. to IEC 60068-2-27</li> <li>• for railway applications acc. to DIN EN 61373</li> </ul>	Sinusoidal half-wave 50 g / 11 ms Category 1, Class B
<b>Vibration resistance</b>	<ul style="list-style-type: none"> <li>• acc. to IEC 60068-2-6</li> <li>• for railway applications acc. to DIN EN 61373</li> </ul>	10 ... 500 Hz: 5g Category 1, Class B
<b>Continuous current of the C characteristic MCB</b>		10 A; for a short-circuit current smaller than 400 A
<b>Continuous current of the quick DIAZED fuse link</b>		10 A
<b>Continuous current of the DIAZED fuse link gG</b>		10 A
<b>Operating voltage</b>	<ul style="list-style-type: none"> <li>• at AC <ul style="list-style-type: none"> <li>— at 50 Hz rated value</li> <li>— at 60 Hz rated value</li> </ul> </li> <li>• at DC <ul style="list-style-type: none"> <li>— rated value</li> </ul> </li> </ul>	5 ... 500 V 5 ... 500 V 5 ... 500 V
<b>Cable entry type</b>		Adapter ASI shaped cable (insulation displacement method) M20 cable entry

<b>Auxiliary circuit</b>		
<b>Design of the contact of auxiliary contacts</b>		Silver alloy
<b>Number of NC contacts</b>	<ul style="list-style-type: none"> <li>• for auxiliary contacts</li> </ul>	2
<b>Number of NO contacts</b>	<ul style="list-style-type: none"> <li>• for auxiliary contacts</li> </ul>	0
<b>Number of CO contacts</b>	<ul style="list-style-type: none"> <li>• for auxiliary contacts</li> </ul>	0

<b>Connections/Terminals</b>		
<b>Type of electrical connection</b>	<ul style="list-style-type: none"> <li>• of modules and accessories</li> </ul>	Spring-type terminal
<b>Type of electrical connection on enclosure</b>		Cable routing above and below, both 1 x M20
<b>Tightening torque of the screws in the bracket</b>		1 ... 1.2 N·m
<b>Tightening torque of mounting screws in the enclosure cover</b>		1.5 ... 1.7 N·m

<b>Interfaces</b>		
<b>Design of the interface</b>	<ul style="list-style-type: none"> <li>• for communication</li> </ul>	without

<b>Ambient conditions</b>		
<b>Ambient temperature</b>	<ul style="list-style-type: none"> <li>• during operation</li> <li>• during storage</li> </ul>	-25 ... +70 °C -40 ... +80 °C

Environmental category during operation acc. to IEC 60721

3M6, 3S2, 3B2, 3C3, 3K6 (with relative air humidity of 10 ... 95 %, no condensation in operation permitted for all devices behind front panel)

### Installation/ mounting/ dimensions

<b>Mounting type</b> <ul style="list-style-type: none"><li>• of modules and accessories</li></ul>	Floor mounting
<b>Height</b>	105.4 mm
<b>Width</b>	85 mm
<b>Depth</b>	109 mm
<b>Shape of the installation opening</b>	round

### Accessories

<b>Number of labels</b>	1
<b>Marking of the name plate for command devices</b>	A = I
<b>Color of the label</b>	A = black

### Certificates/approvals

<b>General Product Approval</b>	<b>Declaration of Conformity</b>
---------------------------------	----------------------------------



<b>Test Certificates</b>	<b>Marine / Shipping</b>
--------------------------	--------------------------

[Declaration of the Compliance with the order](#)

[Special Test Certificate](#)



<b>Marine / Shipping</b>	<b>other</b>
--------------------------	--------------



[Confirmation](#)

### Further information

**Information- and Downloadcenter (Catalogs, Brochures,...)**

<http://www.siemens.com/industrial-controls/catalogs>

**Industry Mall (Online ordering system)**

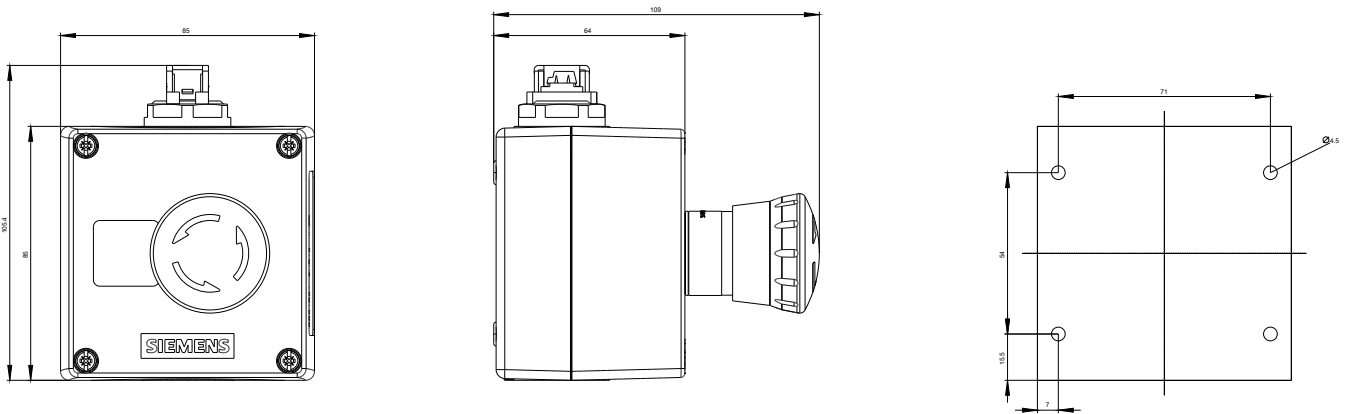
<https://mall.industry.siemens.com/mall/en/en/Catalog/product?mlfb=3SU1801-0NB10-4HB2>

**Cax online generator**

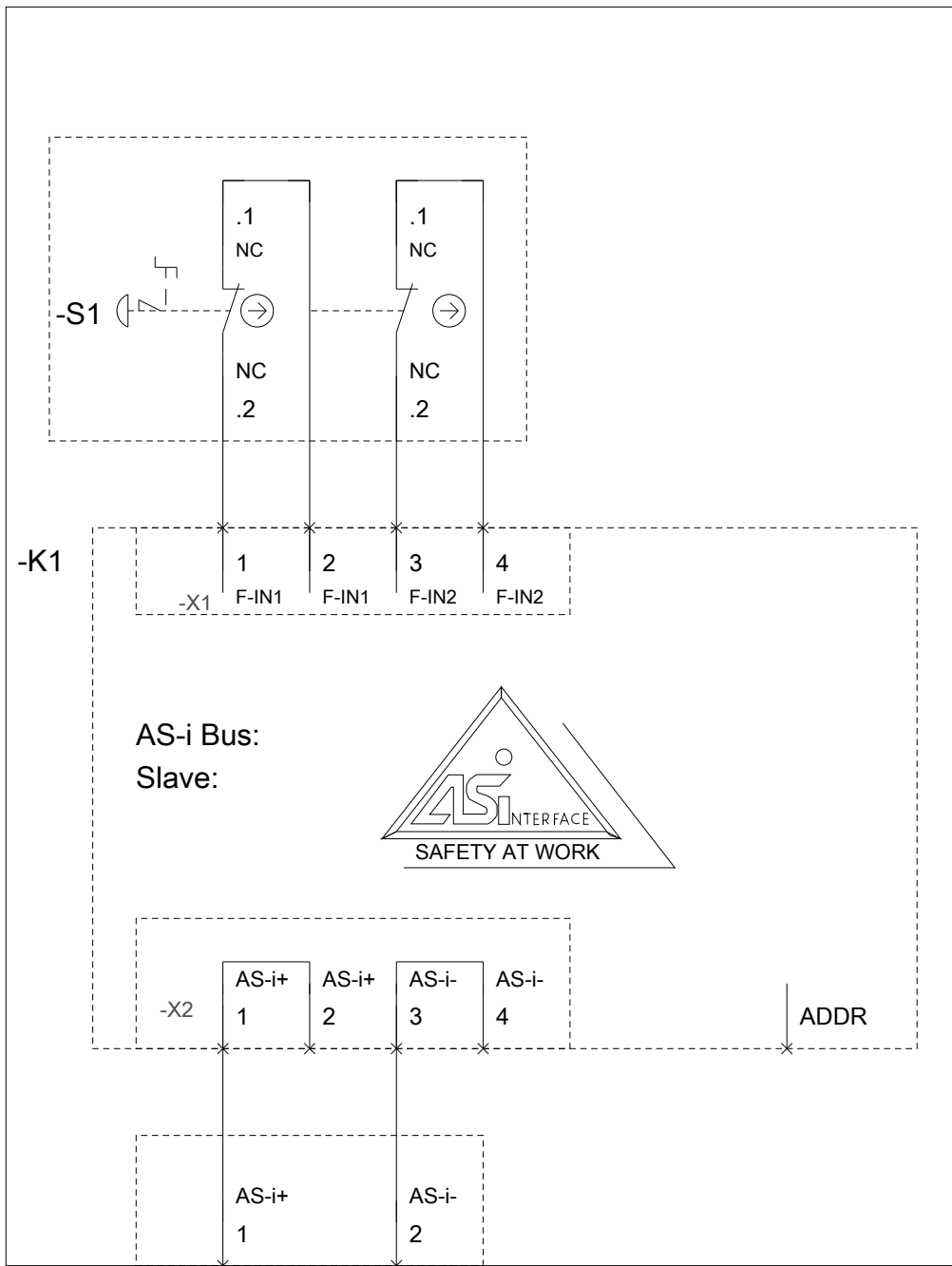
<http://support.automation.siemens.com/WW/CAXorder/default.aspx?lang=en&mlfb=3SU1801-0NB10-4HB2>

**Service&Support (Manuals, Certificates, Characteristics, FAQs,...)**

<https://support.industry.siemens.com/cs/ww/en/ps/3SU1801-0NB10-4HB2>



-U1



last modified:

10/29/2018