

Unit labeling plate, white, without inscription, for support of dust resistance, for contact modules



Figure similar

Product brand name	SIRIUS ACT
Product designation	Unit labeling plate
Design of the product	for modules with front-plate mounting
Product type designation	3SU1

General technical data

Shock resistance	Category 1, Class B
<ul style="list-style-type: none"> for railway applications acc. to DIN EN 61373 	
Vibration resistance	Category 1, Class B
<ul style="list-style-type: none"> for railway applications acc. to DIN EN 61373 	

Installation/ mounting/ dimensions

Height	9.5 mm
Width	10.5 mm

Accessories

Material of accessory	Plastic
Mounting type of label	insert
Marking of inscription plate	none
Color of inscription plate	white/black (plate/text)

Certificates/approvals

General Product Approval



CSA



UL



EG-Konf.

Declaration of Conformity

Test Certificates

[Declaration of the Compliance with the order](#)

[Special Test Certificate](#)

other

[Confirmation](#)

Further information

Information- and Downloadcenter (Catalogs, Brochures,...)

<http://www.siemens.com/industrial-controls/catalogs>

Industry Mall (Online ordering system)

<https://mall.industry.siemens.com/mall/en/en/Catalog/product?mlfb=3SU1900-0AY61-0AA0>

Cax online generator

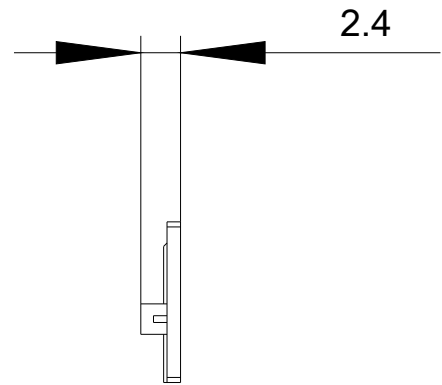
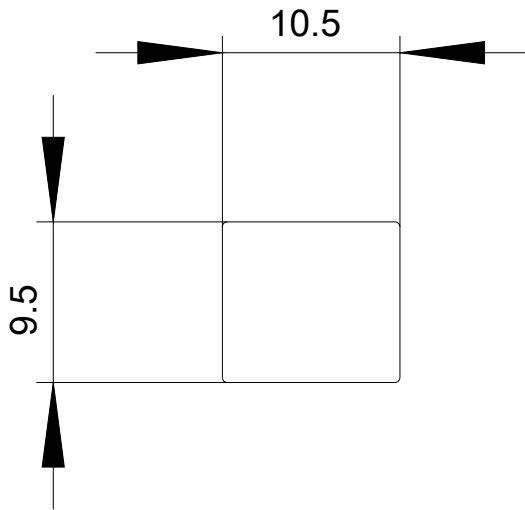
<http://support.automation.siemens.com/WW/CAXorder/default.aspx?lang=en&mlfb=3SU1900-0AY61-0AA0>

Service&Support (Manuals, Certificates, Characteristics, FAQs,...)

<https://support.industry.siemens.com/cs/ww/en/ps/3SU1900-0AY61-0AA0>

Image database (product images, 2D dimension drawings, 3D models, device circuit diagrams, EPLAN macros, ...)

http://www.automation.siemens.com/bilddb/cax_de.aspx?mlfb=3SU1900-0AY61-0AA0&lang=en



last modified:

08/06/2018