

Accessories for VL150XUL, (CG-FRAME) Box terminals consists of 3 box terminals 3-pole

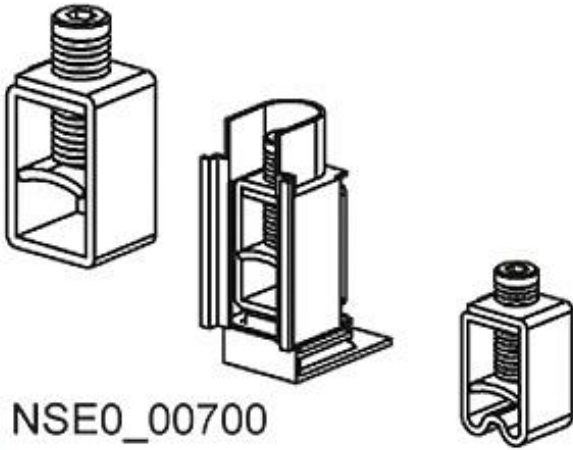


Figure similar

Model	
Product brand name	SETRON
Accessories	
accessories	Accessories for VL150X

General Product Approval	EMC	Test Certificates	Shipping Approval
--------------------------	-----	-------------------	-------------------

[Miscellaneous](#)



[Special Test Certificate](#)



Shipping Approval	other		
-------------------	-------	--	--



[Confirmation](#)

[Miscellaneous](#)

[Environmental Confirmations](#)

Further information

Information- and Downloadcenter (Catalogs, Brochures,...)

<http://www.siemens.com/lowvoltage/catalogs>

Industry Mall (Online ordering system)

<https://mall.industry.siemens.com/mall/en/en/Catalog/product?mlfb=3VL9120-4TC31>

Service&Support (Manuals, Certificates, Characteristics, FAQs,...)

<https://support.industry.siemens.com/cs/ww/en/ps/3VL9120-4TC31>

Image database (product images, 2D dimension drawings, 3D models, device circuit diagrams, ...)

http://www.automation.siemens.com/bilddb/cax_en.aspx?mlfb=3VL9120-4TC31

CAX-Online-Generator

<http://www.siemens.com/cax>

Tender specifications

<http://www.siemens.com/specifications>