

SITOR fuse holder 315 A 690 V 1-pole with bolt terminal with fixing dimension 80 mm



Model	
Product brand name	SENTRON
Product designation	LV HRC fuse system
Design of the thread / of the connection screw	M8
General technical data	
Number of poles	1
Usage category	Without
Supply voltage	
• at AC / rated value	690 V
• at DC	690 V
Electricity	
rated current $I_n$ / IEC, DIN/VDE / at 40 Cel	289.8 A
Current / at AC / rated value	315 A
Product details	
Product component / Swivel mechanism	No
Connections	

Tightening torque / with screw-type terminals / maximum	5 N·m
Type of electrical connection <ul style="list-style-type: none"> <li>• for main current circuit</li> </ul>	for mounting on mounting plate Stud terminal

### Mechanical Design

Height	111.7 mm
Width	36 mm
Mounting type	fixed mounting
Mounting type <ul style="list-style-type: none"> <li>• bus-mounting</li> </ul>	No
Reference identifier <ul style="list-style-type: none"> <li>• acc. to DIN EN 61346-2</li> <li>• acc. to DIN EN 81346-2</li> </ul>	F F

### Further information

**Information- and Downloadcenter (Catalogs, Brochures,...)**

<http://www.siemens.com/lowvoltage/catalogs>

**Industry Mall (Online ordering system)**

<https://mall.industry.siemens.com/mall/en/en/Catalog/product?mlfb=3NH5023>

**Service&Support (Manuals, Certificates, Characteristics, FAQs,...)**

<https://support.industry.siemens.com/cs/ww/en/ps/3NH5023>

**Image database (product images, 2D dimension drawings, 3D models, device circuit diagrams, ...)**

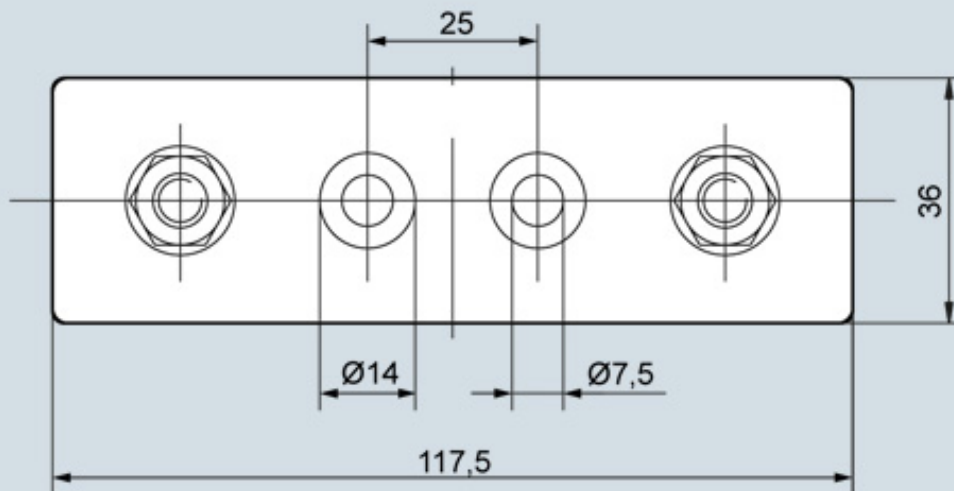
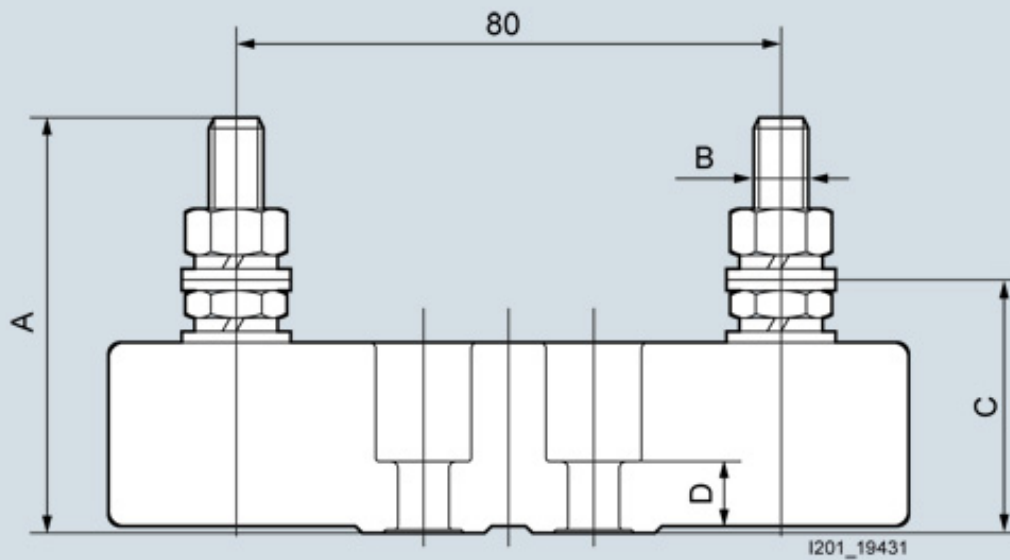
[http://www.automation.siemens.com/bilddb/cax\\_en.aspx?mlfb=3NH5023](http://www.automation.siemens.com/bilddb/cax_en.aspx?mlfb=3NH5023)

**CAX-Online-Generator**

<http://www.siemens.com/cax>

**Tender specifications**

<http://www.siemens.com/specifications>



Type	Dimensions			
	A	B	C	D
<b>3NH5023</b>	59	M8	35,5	11
<b>3NH5323</b>	64	M10	38	11