

Pivoting lever drive (Please order lever separately) for position switch 3SE52/3SF12 für 31/50 mm, Switch points according to EN 50047. The switching direction the lever is on left / right or left only or only to the right. Delivery state ist right / left.



Product brand name	SIRIUS
Product designation	Part-turn actuator for position switch 3SE52/3SF12
Manufacturer's article number	3SE5000-0AK00
<ul style="list-style-type: none"> of the supplied actuator head for position switches 	

General technical data

Shock resistance	
<ul style="list-style-type: none"> acc. to IEC 60068-2-27 	30 g / 11 ms
Vibration resistance	
<ul style="list-style-type: none"> acc. to IEC 60068-2-6 	0.35 mm/5g
Material of the enclosure of the switch head	plastic
Active principle	mechanical
Minimum actuating torque in activation direction	0.25 N·m
Design of the interface for safety-related communication	without

Enclosure

Coating of the enclosure	Other types
---------------------------------	-------------

Drive Head

Design of the operating mechanism	Twist actuator, without lever or rod
Standard-compliant actuator head	EN 50047

Communication/ Protocol

Design of the interface	without
-------------------------	---------




Ambient conditions

Ambient temperature	
• during operation	-25 ... +85 °C
• during storage	-40 ... +90 °C
Explosion protection category for dust	none

Installation/ mounting/ dimensions

Mounting position	any
Mounting type	lockable plug-in fixing

Certificates/approvals

General Product Approval	Test Certificates	other
  	Special Test Certificate	Confirmation

Further information

Information- and Downloadcenter (Catalogs, Brochures,...)

<http://www.siemens.com/industrial-controls/catalogs>

Industry Mall (Online ordering system)

<https://mall.industry.siemens.com/mall/en/en/Catalog/product?mlfb=3SE5000-0AK00>

Cax online generator

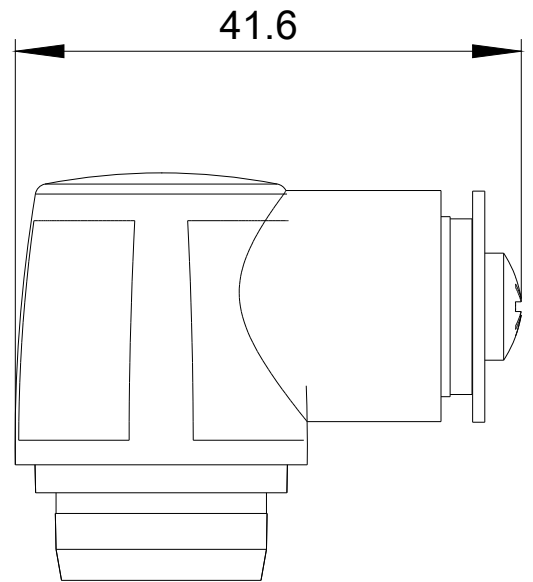
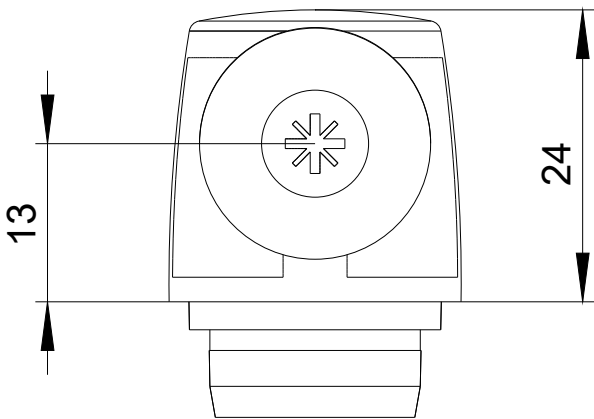
<http://support.automation.siemens.com/WW/CAXorder/default.aspx?lang=en&mlfb=3SE5000-0AK00>

Service&Support (Manuals, Certificates, Characteristics, FAQs,...)

<https://support.industry.siemens.com/cs/ww/en/ps/3SE5000-0AK00>

Image database (product images, 2D dimension drawings, 3D models, device circuit diagrams, EPLAN macros, ...)

http://www.automation.siemens.com/bilddb/cax_de.aspx?mlfb=3SE5000-0AK00&lang=en



last modified:

03/27/2018