

RJ45 connection: 22 mm, plastic, black



Figure similar

<b>Product brand name</b>	SIRIUS ACT
<b>Product designation</b>	RJ45 connection
<b>Design of the product</b>	RJ-45 Cat. 6
<b>Product type designation</b>	3SU1
<b>Actuator</b>	
<b>Outer diameter of the actuating element</b>	29.45 mm
<b>General technical data</b>	
<b>Protection class IP</b>	IP65
<b>Ambient conditions</b>	
<b>Ambient temperature</b>	
• during operation	-25 ... +70 °C
• during storage	-40 ... +80 °C
<b>Installation/ mounting/ dimensions</b>	
<b>Shape of the installation opening</b>	round
<b>Mounting height</b>	11.7 mm
<b>Installation width</b>	29.45 mm

Installation depth	28.35 mm
--------------------	----------

### Accessories

Material of accessory	Plastic
Color of accessory	black

### Certificates/approvals

General Product Approval	Declaration of Conformity	Test Certificates
--------------------------	---------------------------	-------------------



[Declaration of the Compliance with the order](#)

Test Certificates	other
-------------------	-------

[Special Test Certificate](#)

[Confirmation](#)

### Further information

**Information- and Downloadcenter (Catalogs, Brochures,...)**

<http://www.siemens.com/industrial-controls/catalogs>

**Industry Mall (Online ordering system)**

<https://mall.industry.siemens.com/mall/en/en/Catalog/product?mlfb=3SU1900-0GB10-0AA0>

**Cax online generator**

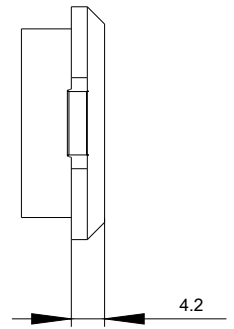
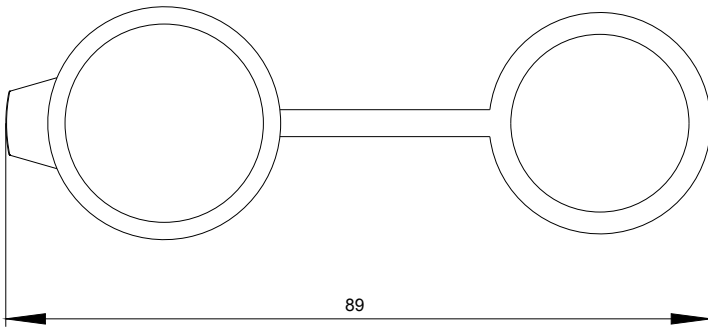
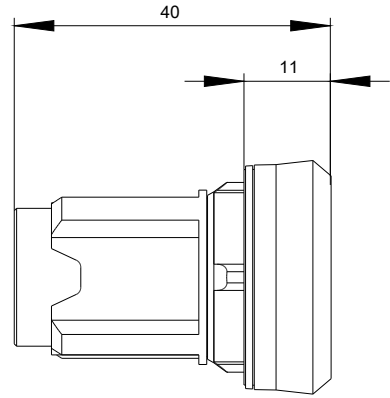
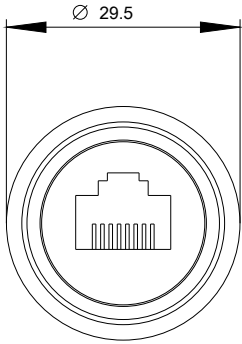
<http://support.automation.siemens.com/WW/CAXorder/default.aspx?lang=en&mlfb=3SU1900-0GB10-0AA0>

**Service&Support (Manuals, Certificates, Characteristics, FAQs,...)**

<https://support.industry.siemens.com/cs/ww/en/ps/3SU1900-0GB10-0AA0>

**Image database (product images, 2D dimension drawings, 3D models, device circuit diagrams, EPLAN macros, ...)**

[http://www.automation.siemens.com/bilddb/cax\\_de.aspx?mlfb=3SU1900-0GB10-0AA0&lang=en](http://www.automation.siemens.com/bilddb/cax_de.aspx?mlfb=3SU1900-0GB10-0AA0&lang=en)



last modified:

02/15/2018