

Selector switch, illuminable, 22 mm, round, metal, shiny, green, selector switch, short, 2 switch positions O-I, latching, actuating angle 90°, 10:30h/13:30h



Figure similar

| | |
|--------------------------|-------------------|
| Product brand name | SIRIUS ACT |
| Product designation | Selector switches |
| Product type designation | 3SU1 |

Enclosure

| | |
|--------------------------|---|
| Number of command points | 1 |
|--------------------------|---|

Actuator

| | |
|---|-------------------------------------|
| Design of the operating mechanism | Selector switch, short black handle |
| Manner of function of the actuating element | maintained, 90° (10:30h/13:30h) |
| Product extension optional Light source | Yes |
| Color of the actuating element | Green |
| Material of the actuating element | plastic |
| Shape of the actuating element | Handle |
| Outer diameter of the actuating element | 32.3 mm |
| Number of switching positions | 2 |
| Actuating angle | 90° |
| • clockwise | |

Front ring

| | |
|------------------------------|-------------------|
| Product component front ring | Yes |
| Design of the front ring | standard |
| Material of the front ring | Metal, high gloss |
| Color of the front ring | silver |

General technical data

| | |
|--|-----------------------------------|
| Protection class IP | IP66, IP67, IP69(IP69K) |
| Degree of protection NEMA rating | NEMA 1, 2, 3, 3R, 4, 4X, 12, 13 |
| Shock resistance | |
| • acc. to IEC 60068-2-27 | Sinusoidal half-wave 50 g / 11 ms |
| Vibration resistance | |
| • acc. to IEC 60068-2-6 | 10 ... 500 Hz: 5g |
| Operating frequency maximum | 1 800 1/h |
| Mechanical service life (switching cycles) | |
| • typical | 300 000 |

Safety related data

| | |
|--|---------|
| B10 value | |
| • with high demand rate acc. to SN 31920 | 100 000 |
| Proportion of dangerous failures | |
| • with low demand rate acc. to SN 31920 | 20 % |
| • with high demand rate acc. to SN 31920 | 20 % |
| Failure rate [FIT] | |
| • with low demand rate acc. to SN 31920 | 100 FIT |
| T1 value for proof test interval or service life acc. to IEC 61508 | 20 y |





Ambient conditions

| | |
|---|---|
| Ambient temperature | |
| • during operation | -25 ... +70 °C |
| • during storage | -40 ... +80 °C |
| Environmental category during operation acc. to IEC 60721 | 3M6, 3S2, 3B2, 3C3, 3K6 (with relative air humidity of 10 ... 95 %) |

Installation/ mounting/ dimensions

| | |
|---|---------|
| Height | 32.3 mm |
| Width | 32.3 mm |
| Shape of the installation opening | round |
| Mounting diameter | 22.3 mm |
| Positive tolerance of installation diameter | 0.4 mm |
| Mounting height | 28.8 mm |
| Installation width | 32.3 mm |
| Installation depth | 25.4 mm |

Certificates/approvals

| General Product Approval | | Declaration of Conformity | Test Certificates | | |
|--|---|---|---|--|--|
|  CSA |  UL |  |  EG-Konf. | Declaration of the Compliance with the order | Special Test Certificate |

other

[Confirmation](#)

Further information

Information- and Downloadcenter (Catalogs, Brochures,...)

<http://www.siemens.com/industrial-controls/catalogs>

Industry Mall (Online ordering system)

<https://mall.industry.siemens.com/mall/en/en/Catalog/product?mlfb=3SU1052-2BF40-0AA0>

Cax online generator

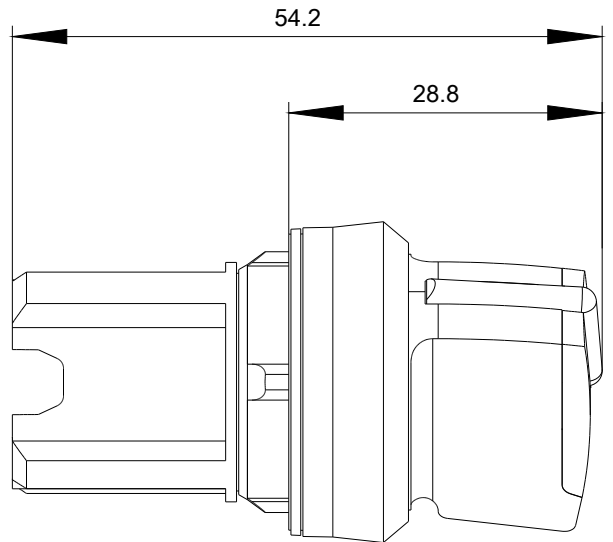
<http://support.automation.siemens.com/WW/CAXorder/default.aspx?lang=en&mlfb=3SU1052-2BF40-0AA0>

Service&Support (Manuals, Certificates, Characteristics, FAQs,...)

<https://support.industry.siemens.com/cs/ww/en/ps/3SU1052-2BF40-0AA0>

Image database (product images, 2D dimension drawings, 3D models, device circuit diagrams, EPLAN macros, ...)

http://www.automation.siemens.com/bilddb/cax_de.aspx?mlfb=3SU1052-2BF40-0AA0&lang=en



last modified:

01/16/2018