

HOLDER FOR 3 MODULES, PLASTIC, 1NO, 1NO, SCREW  
TERMINAL



Figure similar

<b>Product brand name</b>	SIRIUS ACT
<b>Product designation</b>	Holders
<b>Product type designation</b>	3SU1
<b>Manufacturer's article number</b>	<ul style="list-style-type: none"> <li>• of supplied contact module 3SU1400-1AA10-1BA0, 3SU1400-1AA10-1BA0</li> <li>• 1 of supplied contact module <a href="#">3SU1400-1AA10-1BA0</a></li> <li>• 2 of supplied contact module <a href="#">3SU1400-1AA10-1BA0</a></li> <li>• of the supplied holder <a href="#">3SU1500-0AA10-0AA0</a></li> </ul>
<b>Actuator</b>	
<b>Design of the operating mechanism</b>	3-way with module
<b>Number of contact modules</b>	2
<b>Holder</b>	
<b>Material of the holder</b>	Plastic
<b>Display</b>	
<b>Number of LED modules</b>	0
<b>General technical data</b>	

<b>Product function</b>	
• positive opening	Yes
<b>Product component</b>	
• diode	No
• lamp transformer	No
• Light source	No
• series resistor	No
<b>Insulation voltage</b>	
• rated value	500 V
<b>Degree of pollution</b>	3
<b>Surge voltage resistance rated value</b>	6 kV
<b>Protection class IP</b>	
• of the terminal	IP20
<b>Shock resistance</b>	
• acc. to IEC 60068-2-27	Sinusoidal half-wave 50 g / 11 ms
• for railway applications acc. to DIN EN 61373	Category 1, Class B
<b>Vibration resistance</b>	
• acc. to IEC 60068-2-6	10 ... 500 Hz: 5g
• for railway applications acc. to DIN EN 61373	Category 1, Class B
<b>Operating frequency maximum</b>	3 600 1/h
<b>Mechanical service life (switching cycles)</b>	
• typical	10
<b>Thermal current</b>	10 A
<b>Equipment marking</b>	
• acc. to DIN EN 61346-2	U
• acc. to DIN EN 81346-2	U
<b>Continuous current of the C characteristic MCB</b>	10 A; for a short-circuit current smaller than 400 A
<b>Continuous current of the quick DIAZED fuse link</b>	10 A
<b>Continuous current of the DIAZED fuse link gG</b>	10 A

### Main circuit

<b>Operating voltage</b>	
• at AC	
— at 50 Hz rated value	5 ... 500 V
— at 60 Hz rated value	5 ... 500 V
• at DC	
— rated value	5 ... 500 V

### Power Electronics

<b>Contact reliability</b>	One maloperation per 100 million (17 V, 5 mA), one maloperation per 10 million (5 V, 1 mA)
----------------------------	--

### Auxiliary circuit

<b>Design of the contact of auxiliary contacts</b>	Silver alloy
--	--------------

<b>Number of NC contacts</b> • for auxiliary contacts	0
<b>Number of NO contacts</b> • for auxiliary contacts	2
<b>Number of CO contacts</b> • for auxiliary contacts	0
<b>Operating current at AC-15</b> • at 230 V rated value	6 A

### Connections/Terminals

<b>Type of electrical connection</b> • of modules and accessories	Screw-type terminal
<b>Type of connectable conductor cross-sections</b> • solid with core end processing • solid without core end processing • finely stranded with core end processing • finely stranded without core end processing • at AWG conductors	2x (0.5 ... 0.75 mm <sup>2</sup> ) 2x (1.0 ... 1.5 mm <sup>2</sup> ) 2x (0.5 ... 1.5 mm <sup>2</sup> ) 2x (1,0 ... 1,5 mm <sup>2</sup> ) 2x (18 ... 14)
<b>Tightening torque of the screws in the bracket</b>	1 ... 1.2 N·m
<b>Tightening torque</b> • with screw-type terminals	0.8 ... 0.9 N·m

### Ambient conditions

<b>Ambient temperature</b> • during operation • during storage	-25 ... +70 °C -40 ... +80 °C
Environmental category during operation acc. to IEC 60721	3M6, 3S2, 3B2, 3C3, 3K6 (with relative air humidity of 10 ... 95 %, no condensation in operation permitted)


### Installation/ mounting/ dimensions

<b>Mounting type</b> • of modules and accessories	front mounting Front plate mounting
<b>Height</b>	40 mm
<b>Width</b>	30 mm
<b>Shape of the installation opening</b>	round
<b>Installation width</b>	30 mm
<b>Installation depth</b>	49.8 mm

### Certificates/approvals

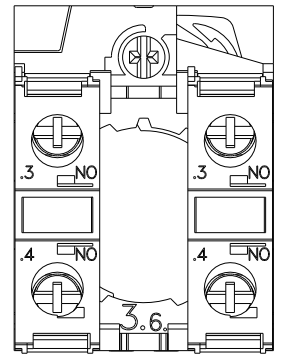
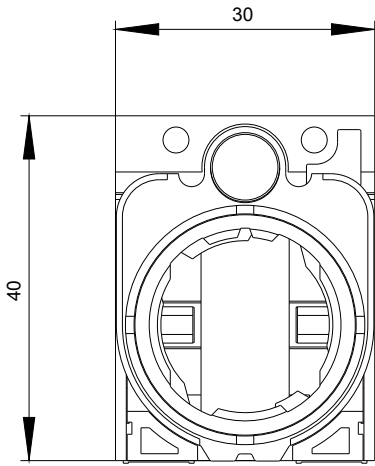
General Product Approval				Declaration of Conformity	Test Certificates
 CCC	 CSA	 UL		 EG-Konf.	<a href="#">Declaration of the Compliance with the order</a>

Test Certificates	Marine / Shipping				
<a href="#">Special Test Certificate</a>	 ABS	 LRS	 PRS	 RINA	 RMRS

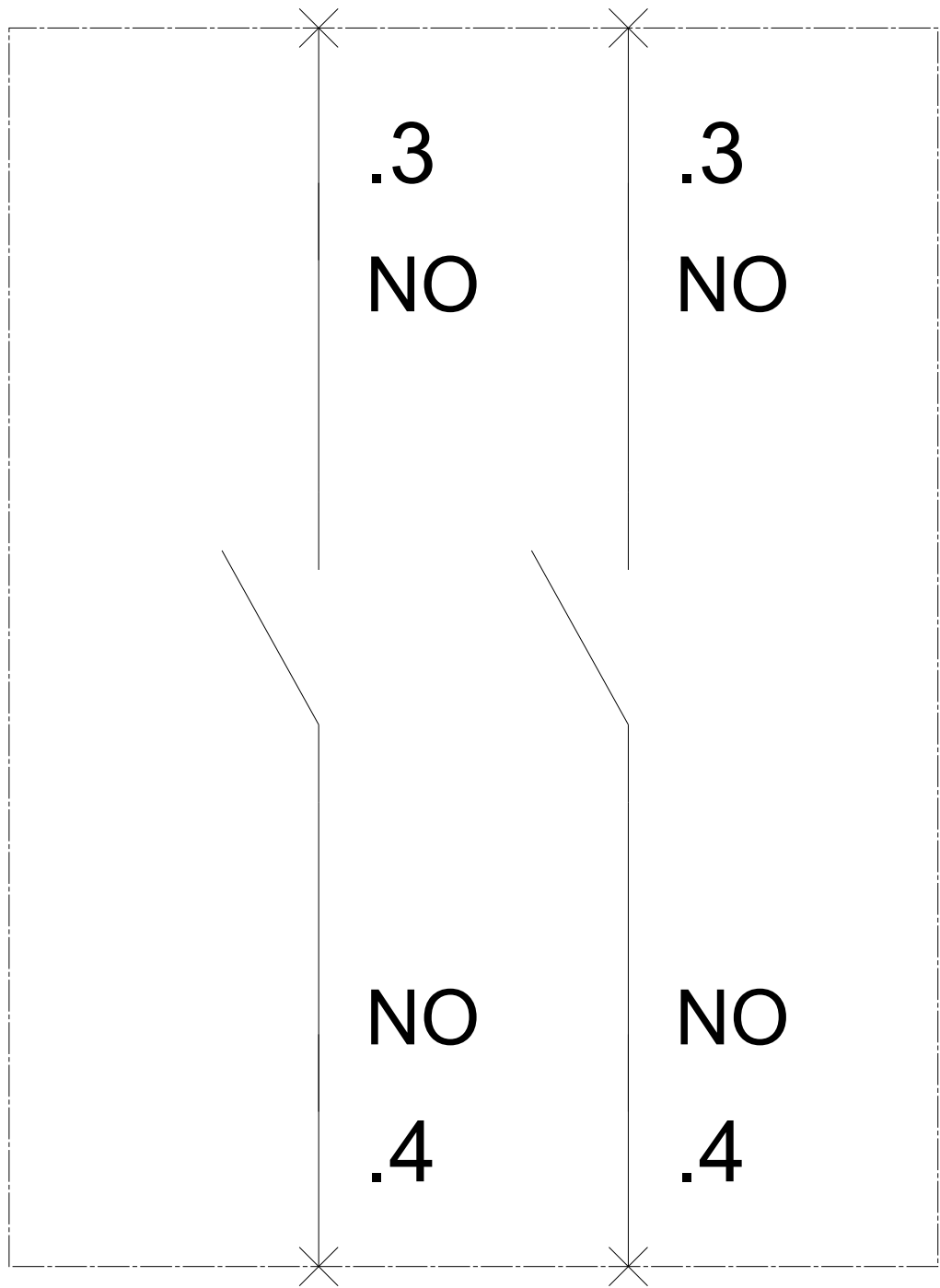
Marine / Shipping	other
	<a href="#">Confirmation</a>

**Further information**

- Information- and Downloadcenter (Catalogs, Brochures,...)**  
<http://www.siemens.com/industrial-controls/catalogs>
- Industry Mall (Online ordering system)**  
<https://mall.industry.siemens.com/mall/en/en/Catalog/product?mlfb=3SU1500-1AA10-1NA0>
- Cax online generator**  
<http://support.automation.siemens.com/WW/CAXorder/default.aspx?lang=en&mlfb=3SU1500-1AA10-1NA0>
- Service&Support (Manuals, Certificates, Characteristics, FAQs,...)**  
<https://support.industry.siemens.com/cs/ww/en/ps/3SU1500-1AA10-1NA0>
- Image database (product images, 2D dimension drawings, 3D models, device circuit diagrams, EPLAN macros, ...)**  
[http://www.automation.siemens.com/bilddb/cax\\_de.aspx?mlfb=3SU1500-1AA10-1NA0&lang=en](http://www.automation.siemens.com/bilddb/cax_de.aspx?mlfb=3SU1500-1AA10-1NA0&lang=en)



-S



last modified:

09/25/2017