

PUSHBUTTON, 30MM, ROUND, METAL, MATT, WHITE, FRONT RING FOR FLAT INSTALL., MOMENTARY CONTACT TYPE



Figure similar

Product brand name	SIRIUS ACT
Product designation	Pushbuttons
Product type designation	3SU1
<b>Enclosure</b>	
Number of command points	1
<b>Actuator</b>	
Design of the operating mechanism	pushbutton with flat button
Manner of function of the actuating element	Momentary contact type
Product extension optional Light source	No
Color	
• of the actuating element	White
Material of the actuating element	plastic
Shape of the actuating element	round
Outer diameter of the actuating element	38 mm
Type of unlocking device	without
<b>Front ring</b>	
Product component front ring	Yes

<b>Design of the front ring</b>	Flat
<b>Material of the front ring</b>	Metal, matt
<b>Color of the front ring</b>	sand gray

### General technical data

<b>Protection class IP</b>	IP66, IP67, IP69(IP69K)
<b>Degree of protection NEMA rating</b>	NEMA 1, 2, 3, 3R, 4, 4X, 12
<b>Shock resistance</b>	
<ul style="list-style-type: none"> <li>• acc. to IEC 60068-2-27</li> <li>• for railway applications acc. to DIN EN 61373</li> </ul>	Sinusoidal half-wave 50 g / 11 ms Category 1, Class B
<b>Vibration resistance</b>	
<ul style="list-style-type: none"> <li>• acc. to IEC 60068-2-6</li> <li>• for railway applications acc. to DIN EN 61373</li> </ul>	10 ... 500 Hz: 5g Category 1, Class B
<b>Operating frequency maximum</b>	3 600 1/h
<b>Mechanical service life (switching cycles)</b>	
<ul style="list-style-type: none"> <li>• typical</li> </ul>	10 000 000
<b>Equipment marking</b>	
<ul style="list-style-type: none"> <li>• acc. to DIN EN 61346-2</li> <li>• acc. to DIN EN 81346-2</li> </ul>	S S





### Ambient conditions

<b>Ambient temperature</b>	
<ul style="list-style-type: none"> <li>• during operation</li> <li>• during storage</li> </ul>	-25 ... +70 °C -40 ... +80 °C
Environmental category during operation acc. to IEC 60721	3M6, 3S2, 3B2, 3C3, 3K6 (with relative air humidity of 10 ... 95 %)

### Installation/ mounting/ dimensions

<b>Height</b>	38 mm
<b>Width</b>	38 mm
<b>Shape of the installation opening</b>	round
<b>Mounting diameter</b>	30.5 mm
<b>Positive tolerance of installation diameter</b>	0.5 mm
<b>Mounting height</b>	4.2 mm
<b>Installation width</b>	38 mm
<b>Installation depth</b>	31.1 mm

### Certificates/approvals

General Product Approval			Declaration of Conformity	Test Certificates	
 CSA	 UL		 EG-Konf.	<a href="#">Declaration of the Compliance with the order</a>	<a href="#">Special Test Certificate</a>

**other**

[Confirmation](#)

**Further information**

**Information- and Downloadcenter (Catalogs, Brochures,...)**

<http://www.siemens.com/industrial-controls/catalogs>

**Industry Mall (Online ordering system)**

<https://mall.industry.siemens.com/mall/en/en/Catalog/product?mlfb=3SU1060-0JB60-0AA0>

**Cax online generator**

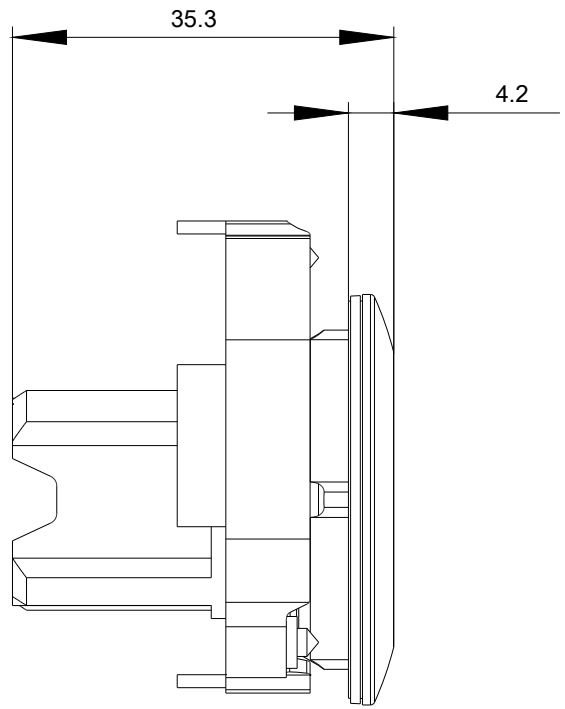
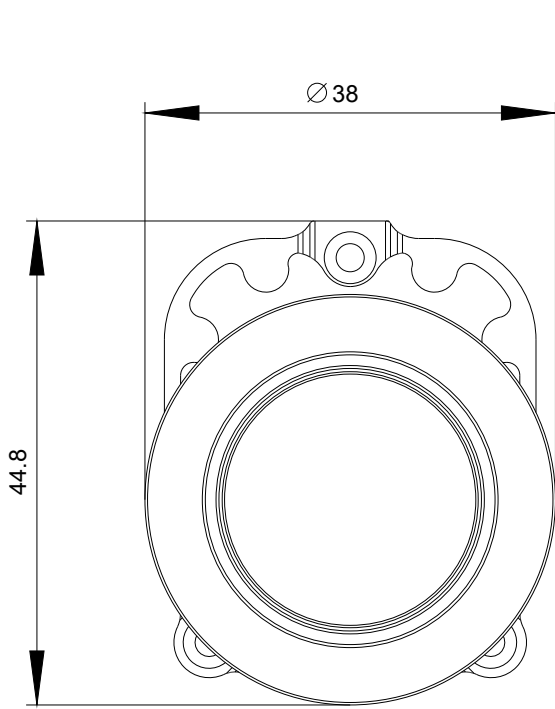
<http://support.automation.siemens.com/WW/CAXorder/default.aspx?lang=en&mlfb=3SU1060-0JB60-0AA0>

**Service&Support (Manuals, Certificates, Characteristics, FAQs,...)**

<https://support.industry.siemens.com/cs/ww/en/ps/3SU1060-0JB60-0AA0>

**Image database (product images, 2D dimension drawings, 3D models, device circuit diagrams, EPLAN macros, ...)**

[http://www.automation.siemens.com/bilddb/cax\\_de.aspx?mlfb=3SU1060-0JB60-0AA0&lang=en](http://www.automation.siemens.com/bilddb/cax_de.aspx?mlfb=3SU1060-0JB60-0AA0&lang=en)



last modified:

09/25/2017