

SINGLE FRAME FOR SQUARE DESIGN, BLACK

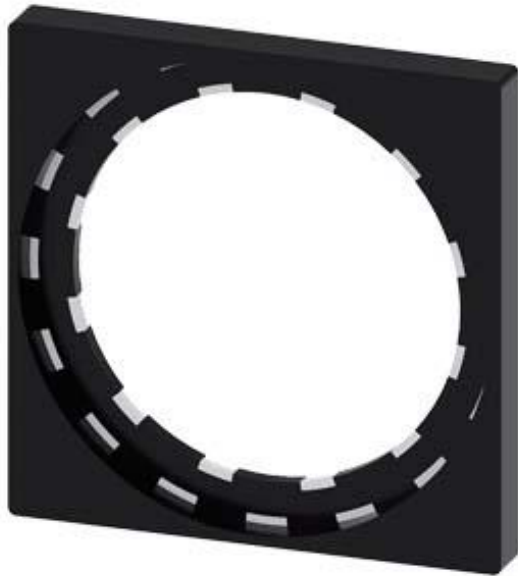






Figure similar

Product brand name	SIRIUS ACT
Product designation	Single frames
Product type designation	3SU1
General technical data	
Protection class IP	IP66, IP67, IP69(IP69K)
Degree of protection NEMA rating	NEMA 1, 2, 3, 3R, 4, 4X, 12
Shock resistance	Category 1, Class B
<ul style="list-style-type: none"> • for railway applications acc. to DIN EN 61373 	
Vibration resistance	Category 1, Class B
<ul style="list-style-type: none"> • for railway applications acc. to DIN EN 61373 	
Installation/ mounting/ dimensions	
Height	29.8 mm
Width	29.8 mm
Accessories	
Material of accessory	Plastic
Marking of backing plate	none
Shape of backing plate	square

Color of backing plate	black
Product function Illuminated backing plate	No

Certificates/approvals

General Product Approval		Declaration of Conformity	Test Certificates		
				Declaration of the Compliance with the order	Special Test Certificate
CSA	UL		EG-Konf.		

other

[Confirmation](#)

Further information

Information- and Downloadcenter (Catalogs, Brochures,...)

<http://www.siemens.com/industrial-controls/catalogs>

Industry Mall (Online ordering system)

<https://mall.industry.siemens.com/mall/en/en/Catalog/product?mlfb=3SU1900-0AX10-0AA0>

Cax online generator

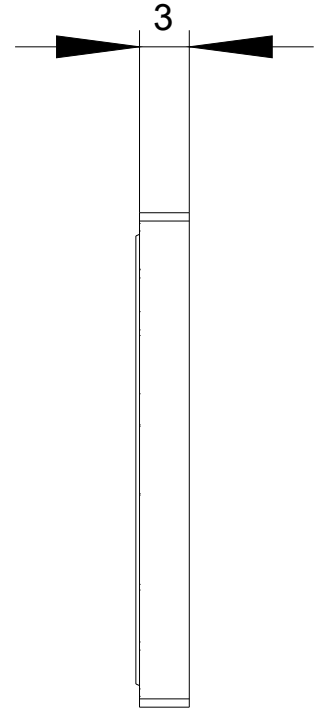
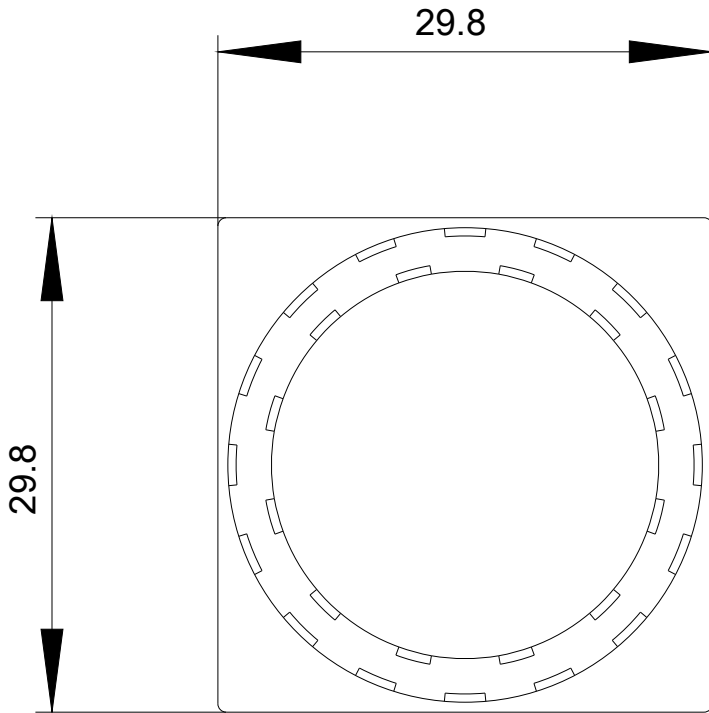
<http://support.automation.siemens.com/WW/CAXorder/default.aspx?lang=en&mlfb=3SU1900-0AX10-0AA0>

Service&Support (Manuals, Certificates, Characteristics, FAQs,...)

<https://support.industry.siemens.com/cs/ww/en/ps/3SU1900-0AX10-0AA0>

Image database (product images, 2D dimension drawings, 3D models, device circuit diagrams, EPLAN macros, ...)

http://www.automation.siemens.com/bilddb/cax_de.aspx?mlfb=3SU1900-0AX10-0AA0&lang=en



last modified:

09/13/2017