





KEY FOR O.M.R. LOCK, LOCK NO. 73034, BLACK



Figure similar

<b>Product brand name</b>	SIRIUS ACT
<b>Product designation</b>	Keys
<b>Design of the product</b>	OMR
<b>Product type designation</b>	3SU1
<b>Actuator</b>	
<b>Key number</b>	73034
<b>Ambient conditions</b>	
Environmental category during operation acc. to IEC 60721	3M6, 3S2, 3B2, 3C3, 3K6 (with relative air humidity of 10 ... 95 %)
<b>Installation/ mounting/ dimensions</b>	
<b>Height</b>	28 mm
<b>Width</b>	5 mm
<b>Depth</b>	44.9 mm
<b>Accessories</b>	
<b>Material of accessory</b>	Metal
<b>Color of accessory</b>	black

## Certificates/approvals

General Product Approval		Declaration of Conformity	Test Certificates		
 CSA	 UL		 EG-Konf.	<a href="#">Declaration of the Compliance with the order</a>	<a href="#">Special Test Certificate</a>

## other

[Confirmation](#)

## Further information

### Information- and Downloadcenter (Catalogs, Brochures,...)

<http://www.siemens.com/industrial-controls/catalogs>

### Industry Mall (Online ordering system)

<https://mall.industry.siemens.com/mall/en/en/Catalog/product?mlfb=3SU1950-0FL10-0AA0>

### Cax online generator

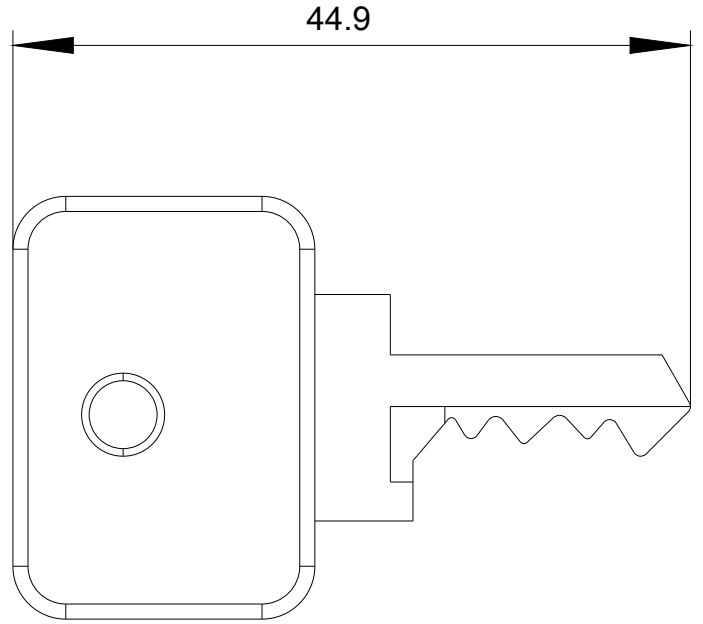
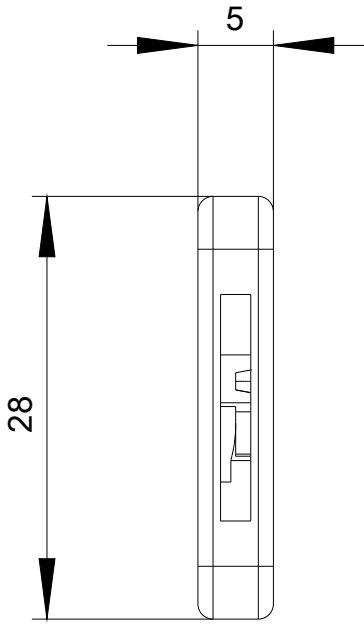
<http://support.automation.siemens.com/WW/CAXorder/default.aspx?lang=en&mlfb=3SU1950-0FL10-0AA0>

### Service&Support (Manuals, Certificates, Characteristics, FAQs,...)

<https://support.industry.siemens.com/cs/ww/en/ps/3SU1950-0FL10-0AA0>

### Image database (product images, 2D dimension drawings, 3D models, device circuit diagrams, EPLAN macros, ...)

[http://www.automation.siemens.com/bilddb/cax\\_de.aspx?mlfb=3SU1950-0FL10-0AA0&lang=en](http://www.automation.siemens.com/bilddb/cax_de.aspx?mlfb=3SU1950-0FL10-0AA0&lang=en)



last modified:

07/26/2017