

ID KEY-OPERATED SWITCH, 22MM, ROUND, PLASTIC, BLACK, RFID, 4 SWITCH POSITIONS O-I-II-III, ACTUATING ANGLE 3X45 DEG., WITHOUT ID KEY



Figure similar

Product brand name	SIRIUS ACT
Product designation	ID key-operated switches
Product type designation	3SU1

Actuator	
Design of the operating mechanism	ID key switch (codable)
Manner of function of the actuating element	Latching
Product extension optional Light source	No
Color	
• of the actuating element	black
Material of the actuating element	plastic
Shape of the actuating element	round
Outer diameter of the actuating element	29.5 mm
Number of switching positions	4
Switch position for key distraction	Key removal possible in all 4 positions

Front ring	
Product component front ring	Yes
Design of the front ring	Standard

Material of the front ring	plastic
Color of the front ring	black

General technical data

Protection class IP	IP65
Degree of protection NEMA rating	NEMA 12
Mechanical service life (switching cycles)	
• typical	100 000
Equipment marking	
• acc. to DIN EN 61346-2	S
• acc. to DIN EN 81346-2	S

Connections/Terminals

Tightening torque of the screws in the bracket	1 ... 1.2 N·m
--	---------------





Ambient conditions

Ambient temperature	
• during operation	-25 ... +70 °C
• during storage	-40 ... +80 °C
Environmental category during operation acc. to IEC 60721	3M6, 3S2, 3B2, 3C3, 3K6 (with relative air humidity of 10 ... 95 %)

Installation/ mounting/ dimensions

Height	29.5 mm
Width	29.5 mm
Mounting diameter	22.3 mm
Positive tolerance of installation diameter	0.4 mm
Mounting height	29.6 mm
Installation width	29.5 mm
Installation depth	29.5 mm

Certificates/approvals

General Product Approval	EMC	Declaration of Conformity	Test Certificates
 CSA  UL  EAC	EC-Declaration of Conformity EMC	 EG-Konf.	Declaration of the Compliance with the order

Test Certificates	other
Special Test Certificate	Confirmation

Further information

Information- and Downloadcenter (Catalogs, Brochures,...)

<http://www.siemens.com/industrial-controls/catalogs>

Industry Mall (Online ordering system)

<https://mall.industry.siemens.com/mall/en/en/Catalog/product?mfb=3SU1000-4WS10-0AA0>

Cax online generator

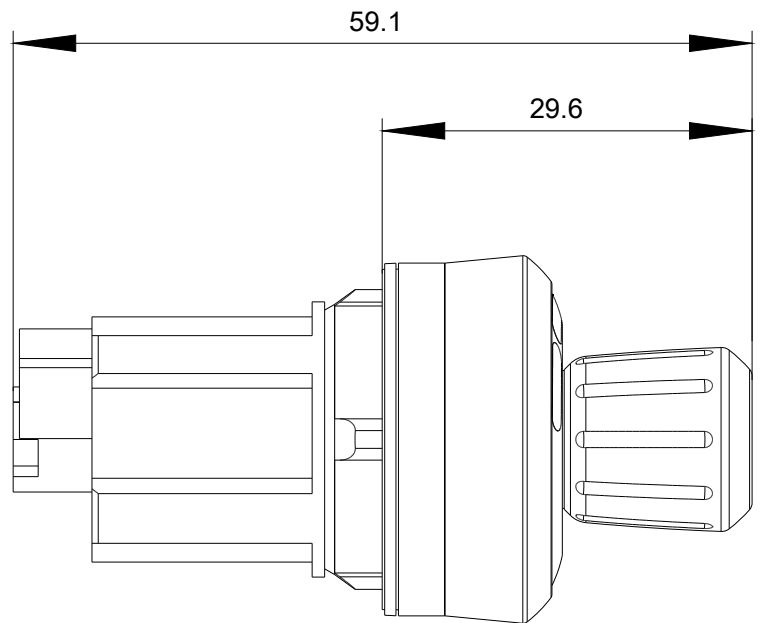
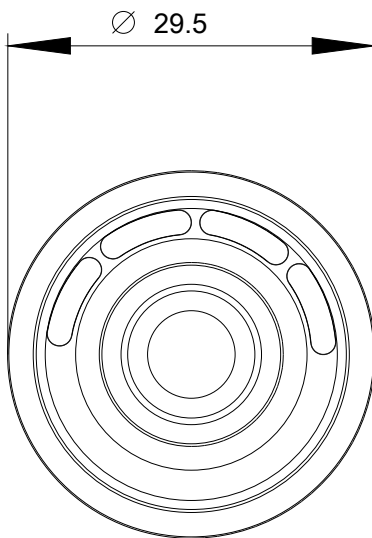
<http://support.automation.siemens.com/WW/CAXorder/default.aspx?lang=en&mfb=3SU1000-4WS10-0AA0>

Service&Support (Manuals, Certificates, Characteristics, FAQs,...)

<https://support.industry.siemens.com/cs/ww/en/ps/3SU1000-4WS10-0AA0>

Image database (product images, 2D dimension drawings, 3D models, device circuit diagrams, EPLAN macros, ...)

http://www.automation.siemens.com/bilddb/cax_de.aspx?mfb=3SU1000-4WS10-0AA0&lang=en



last modified:

07/10/2017